

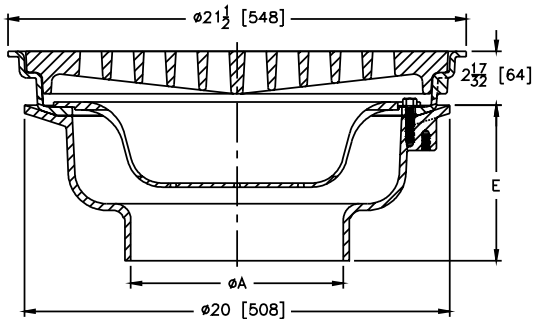
Z546 21-1/2" DIAMETER EXTRA HEAVY-DUTY DRAIN



ENGINEERING SPECIFICATION

Zurn Z546 21-1/2" diameter top drain features Dura-Coated cast iron body with bottom outlet, seepage pan, and combination membrane flashing clamp and frame with seepage holes, extra heavy-duty, cast iron, slotted grate with suspended sediment bucket.

A Pipe Size inch [mm]	Grate Open Area sq in [cm ²]	Approximate Weight lb [kg]
8 [203]	110 [710]	163 [74]
10 [254]		
12 [305]		



PREFIXES	DESCRIPTION	PIPE SIZE	LIST PRICE
Z546*	D.C.C.I. Body and Top	8"	2,510.00
		10"	2,604.00
		12"	2,728.00

OUTLETS (SPECIFY PIPE SIZE IN INCHES AND TYPE OF OUTLET)				
OUTLET TYPE	PIPE SIZE/OUTLET TYPE	E BODY HT. DIM.	ADD	
NH	No-Hub	8NH, 10NH, 12NH	7-5/16"	N/C
SUFFIXES				
-F Extension Frame - 1"-4" (Specify Height)			D.C.	990.00
			Galv.	1,496.00
-G Galvanized Cast Iron				1,322.00
-TS Top Secured with Slotted Screws				211.00
-VP Vandal-Proof Secured Top				235.00

BEST SELLER	LIST PRICE
Z546-12NH-F4	3,718.00

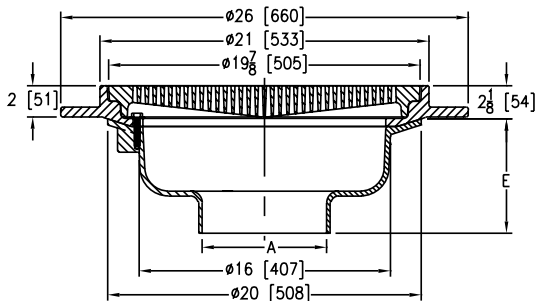
Z547 21" DIAMETER EXTRA HEAVY-DUTY HEEL-PROOF PARKING DECK DRAIN WITH SUPPORT FLANGE



ENGINEERING SPECIFICATION

Zurn Z547 21" diameter parking deck drain features Dura-Coated cast iron body with bottom outlet, combination membrane flashing clamp with support flange, and extra heavy-duty, heel-proof, slotted grate.

A Pipe Size inch [mm]	Grate Open Area sq in [cm ²]	Approximate Weight lb [kg]
8 [203]	112 [723]	163 [74]
10 [254]		
12 [305]		



PREFIXES	DESCRIPTION	PIPE SIZE	LIST PRICE
Z547*	D.C.C.I. Body and Flange (with Duresist Grate)	8"	3,009.00
		10"	3,124.00
		12"	3,272.00

OUTLETS (SPECIFY PIPE SIZE IN INCHES AND TYPE OF OUTLET)				
OUTLET TYPE	PIPE SIZE/OUTLET TYPE	E BODY HT. DIM.	ADD	
NH	No-Hub	8NH, 10NH, 12NH	7-5/16"	N/C
SUFFIXES				
-G Galvanized Cast Iron				1,268.00
-TS Top Secured with Slotted Screws				201.00
-VP Vandal-Proof Secured top				228.00

BEST SELLER	LIST PRICE
Z547-8NH	3,009.00

Supplied By:



877-903-7246

www.commercialplumbingsupply.com

*Regularly furnished unless otherwise specified.

Items designated as Best Sellers are most specified and are generally in stock for shipment.

⌚ This symbol denotes a product that is engineered to reduce installation and rework time.

For additional product information, please visit www.zurn.com